

# ATLAS SINCE 1919



## LOADER CRANE 240.2/E

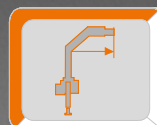


MADE  
IN  
GERMANY

**ECONOMICAL,  
FLEXIBLE,  
STRONG**



**max: 11685 lbs**



**max: 67.8 ft**



**max: 4496 psi**

[WWW.ATLASGMBH.COM](http://WWW.ATLASGMBH.COM)

# EQUIPMENT OPTIONS



Our cranes are certified to  
DIN EN ISO 9001 : 2008.

Easily visible  
LED operation  
status indication.



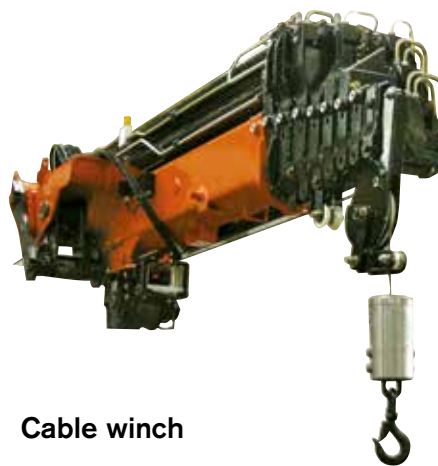
## Tools



Brick Stack Grapples



Quickly mountable  
grab head piece.



Cable winch



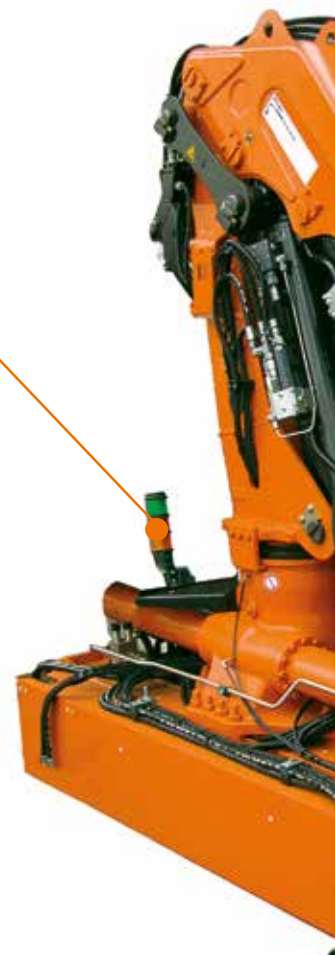
Orange Peel Grapple



Grabber



Pallet Fork







Brightly illuminated LED headlight for high visibility in the working area.



The automatic central lubrication system guarantees lubrication process in regular intervals. Optionally as a semi- or a complete system. Easy to maintain and time-saving.



The oil cooler with a thermal switch enables the long and continual work of the crane in cases of extreme and hard tasks.



Easy operation of the safety hook for the lateral latching device of the outrigger support.

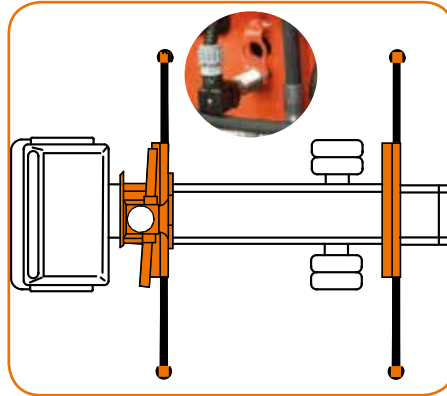
**AVAILABLE & COST EFFECTIVE**

# EQUIPMENT OPTIONS



## Monitoring of the stabilizing support

(EAW) in accordance with EN 12999.



Electr. monitoring of the stabilizing support wide and the slewing range.



**AHMEKO**  
STANDSICHERHEITSSYSTEM

**Stability control for truck cranes**



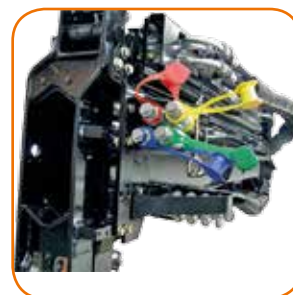
Oil Tank



Hose reel for good coils of hoses.



Internal hose routing, good protection for hoses.



Quick-release couplings for quick tool changes.

## SUPPORTING LEGS

ATLAS proposes various design versions depending on the requirements for support in the relevant situation. The ATLAS typical square outriggers guarantee the highest level of stability.



Additional outriggers

Support leg automatically slewed through rack and pinion.



Screw-on supporting leg.

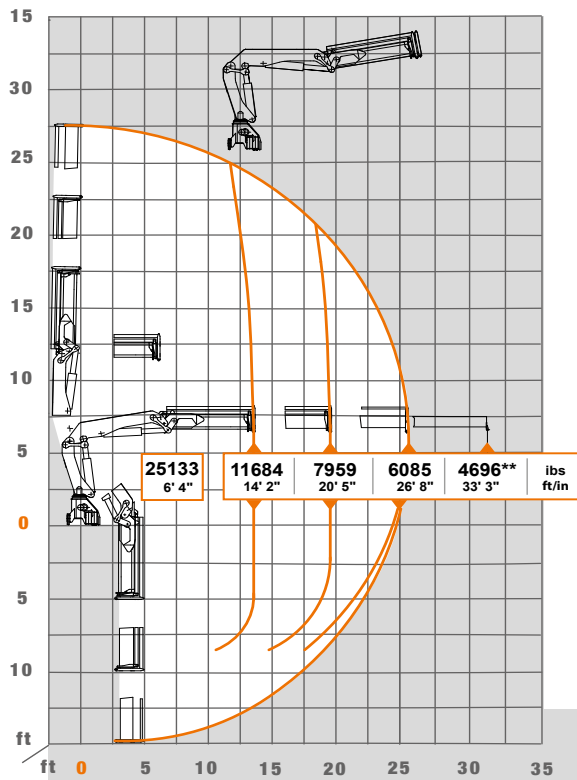


LED light strips on the supporting leg for increased safety.



**AVAILABLE & COST EFFECTIVE**

# Load Diagrams

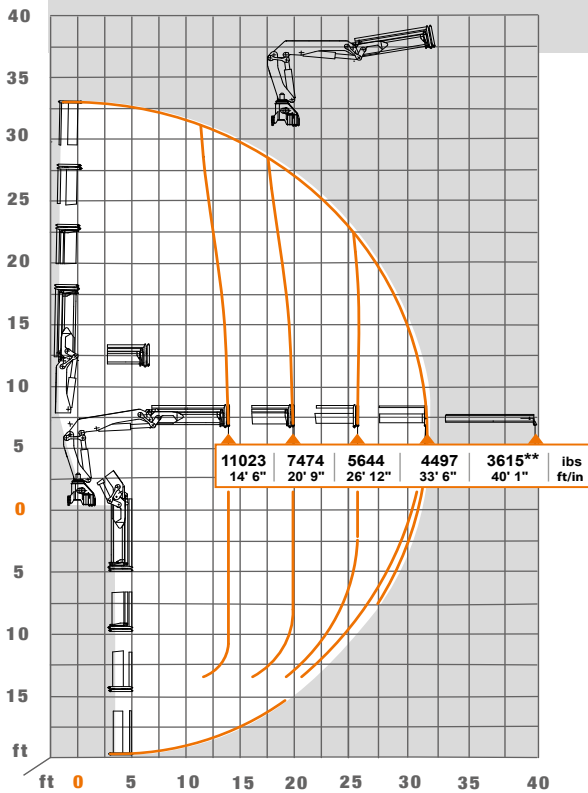


## 240.2-26' 8''/2 (A2)

\*\* - Optional { Manual extension

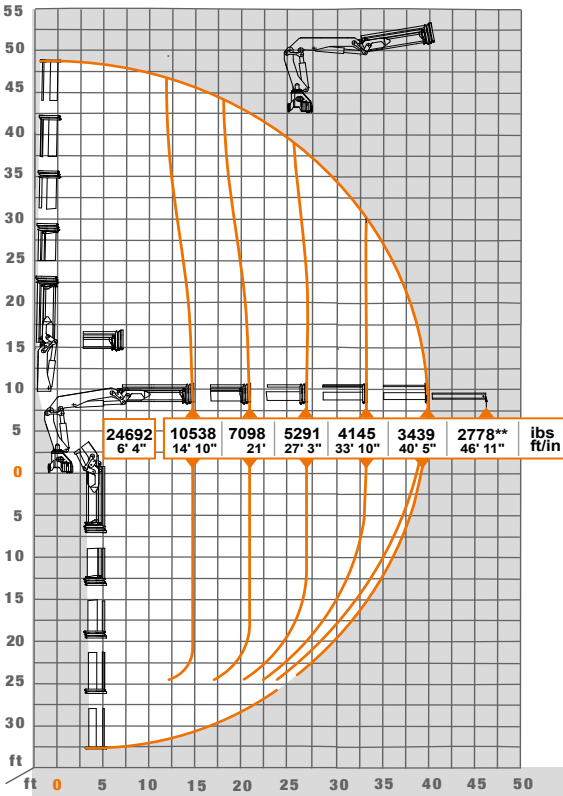
\* - - - - - { additional load hook point at jib

Boom position 15°



## 240.2-33' 6''/3 (A3)

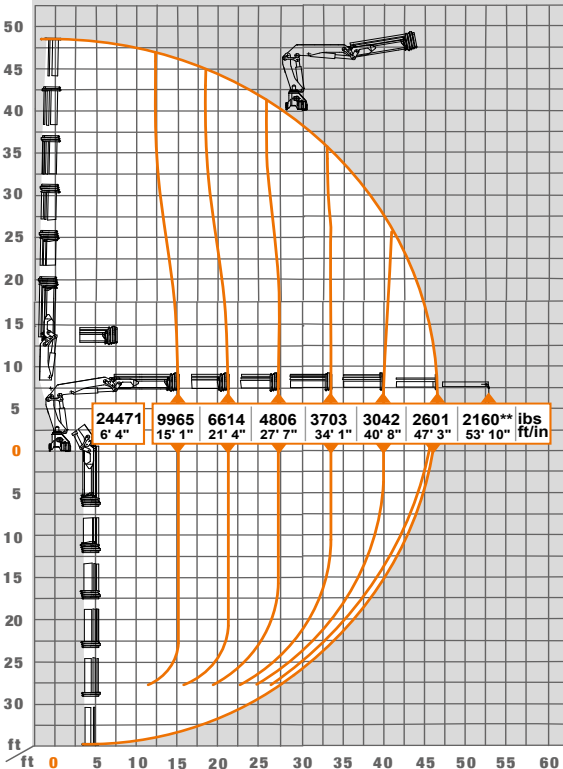
# Load Diagrams



## 240.2-40' 5<sup>1</sup>/<sub>4</sub> (A4)

Boom position 15°

- \*\* - Optional { Manual extension
- \* - ..... { additional load hook point at jib



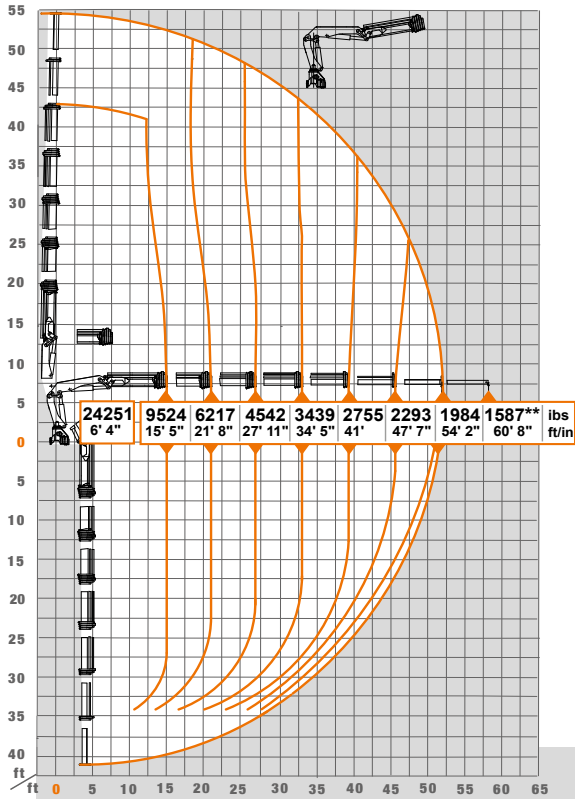
## 240.2-47' 3<sup>5</sup>/<sub>8</sub> (A5)

AVAILABLE & COST EFFECTIVE



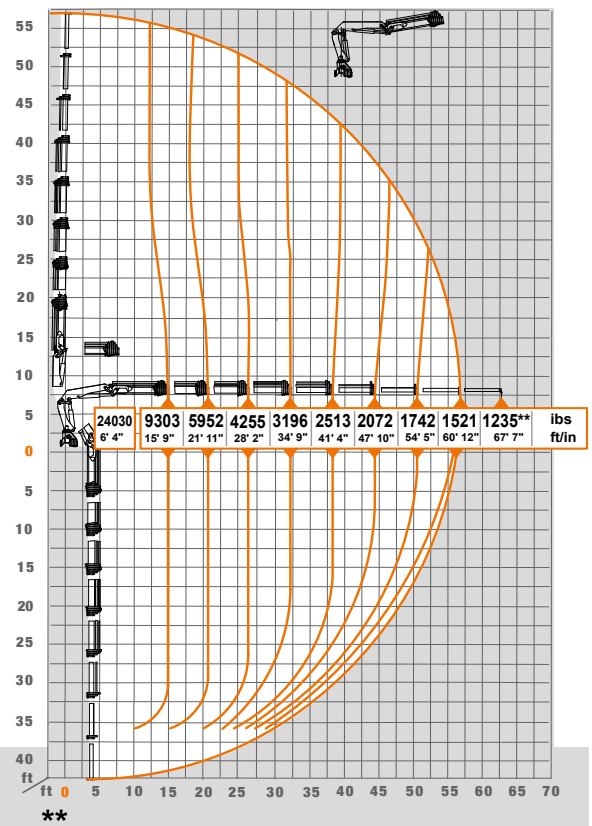
# Load Diagrams

## 240.2-54' 2"/6 (A6)

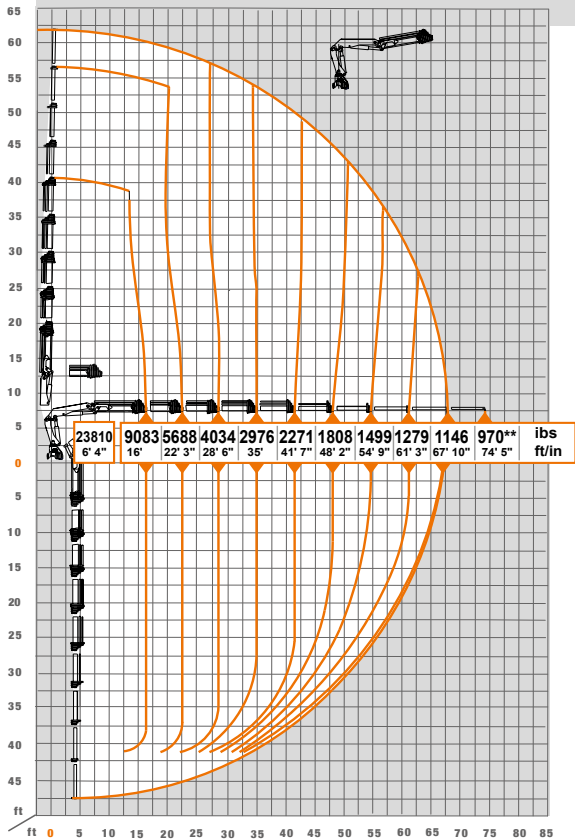


Boom position 15°

## 240.2-60' 12"/7 (A7)



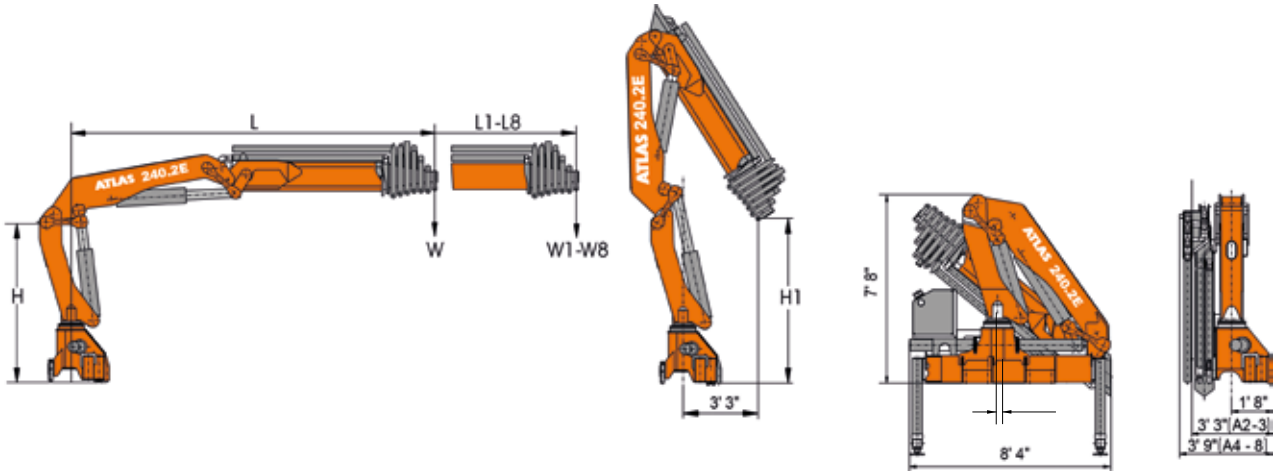
□ - Optional manual extension



## 240.2-67' 10"/8 (A8)



# Dimensions



type	Load at the respective reach																		
	L ft/in	W lbs	L1 ft/in	W1 lbs	L2 ft/in	W2 lbs	L3 ft/in	W3 lbs	L4 ft/in	W4 lbs	L5 ft/in	W5 lbs	L6 ft/in	W6 lbs	L7 ft/in	W7 lbs	L8 ft/in	W8 lbs	
A2	14' 4"	11684	20' 7"	7959	26' 10"	6085													
A3	14' 8"	11023	20' 11"	7474	27' 2"	5644	33' 8"	4497											
A4	14' 12"	10538	21' 2"	7099	27' 5"	5291	33' 12"	4145	40' 7"	3439									
A5	15' 3"	9965	21' 6"	6614	27' 9"	4806	34' 4"	3704	40' 10"	3042	47' 5"	2601							
A6	15' 7"	9524	21' 10"	6217	28'	4542	34' 7"	3439	41' 2"	2756	47' 9"	2293	54' 3"	1984					
A7	15' 11"	9303	22' 1"	5952	28' 4"	4255	34' 11"	3197	41' 6"	2513	48'	2072	54' 7"	1742	61' 2"	1521			
A8	16' 2"	9083	22' 5"	5688	28' 8"	4034	35' 2"	2976	41' 9"	2271	48' 4"	1808	54' 11"	1499	61' 5"	1279	68'	1146	

240.2E		Weight without stabilizer extensions and stabilizer legs	H	H1	Operating pressure	Oil supply amount	Swivel range	Swivel moment	Lifting moment
	lbs	ft/in	ft/in	psi	gal/min		tonf ft	tonf ft	
A 2	5258	7' 3"	8' 7"	4496	11.9	410°	10.41	83.06	
A 3	5589	7' 3"	8' 4"	4496	11.9	410°	10.41	80.00	
A 4	5908	7' 3"	8' 2"	4496	11.9	410°	10.41	78.04	
A 5	6173	7' 3"	7' 11"	4496	11.9	410°	10.41	75.28	
A 6	6426	7' 3"	7' 8"	4496	11.9	410°	10.41	73.51	
A 7	6636	7' 3"	7' 5"	4496	11.9	410°	10.41	73.17	
A 8	6823	7' 3"	7' 2"	4496	11.9	410°	10.41	72.77	

Simple basic unit for load hook work

Classification = H1 - B3

**AVAILABLE & COST EFFECTIVE**

# Control options

Radio remote control provides the operator with the highest degree of security when controlling the loading crane. In order to guarantee precise, efficient and rational work, the operator can choose from a large number of designs and models.

## HBC - Radio remote controls



Spectrum 2 – with 3 cross levers \*

\* Optionally also with lighting in the upper hoop guard

## ABITRON - Radio remote controls



Nova XL – with 3 cross levers

## ATLAS - Radio remote controls



ATLAS J3 – with 3 cross levers



The seat for radio remote control allow a non-tiring and accurate work. Heatable shell seat upon request.



EL -HMS Hand lever control, optional

All kinds of wireless link control are also available with a linear lever and a display. See Radio control brochure.

## **GANDERKESEE FACTORY**

Atlas GmbH  
Atlasstraße 6  
D-27777 Ganderkesee,  
Germany

Tel.: +49 (0) 4222 954 0  
Fax: +49 (0) 4222 954 220  
E-mail: [info@atlasgmbh.com](mailto:info@atlasgmbh.com)  
[www.atlasgmbh.com](http://www.atlasgmbh.com)



## **VECHTA FACTORY**

Atlas GmbH  
Theodor-Heuss-Str. 3  
D-49377 Vechta  
Germany

T: +49 (0) 4441 954 0  
F: +49 (0) 4441 954 299  
E-mail: [info@atlasgmbh.com](mailto:info@atlasgmbh.com)  
[www.atlasgmbh.com](http://www.atlasgmbh.com)



## **DELMENHORST FACTORY**

Atlas GmbH  
Stedinger Straße 324  
D-27751 Delmenhorst  
Germany

T: +49 (0) 4221 49 10  
F: +49 (0) 4221 49 14 43  
E-mail: [info@atlasgmbh.com](mailto:info@atlasgmbh.com)  
[www.atlasgmbh.com](http://www.atlasgmbh.com)

## **ATLAS CRANES UK LTD NATIONAL SALES & SERVICE FACILITY**

Wharfedale Road,  
Euroway Trading Est.  
Bradford, England BD4 6SL  
United Kingdom

T: +44 8444 99 66 88  
F: +44 1274 65 37 85  
E-mail: [atlasuk@atlasgmbh.com](mailto:atlasuk@atlasgmbh.com)  
[www.atlas-cranes.co.uk](http://www.atlas-cranes.co.uk)  
[www.atlasgmbh.com](http://www.atlasgmbh.com)





**ATLAS** SINCE 1919 **AK 240.2E**



[www.atlasgmbh.com](http://www.atlasgmbh.com)

**ATLAS GmbH**

CRANES

Atlasstraße 6

D-27777 Ganderkesee, Germany

T: +49 (0) 4222 954 0

F: +49 (0) 4222 954 220

[info@atlasgmbh.com](mailto:info@atlasgmbh.com)